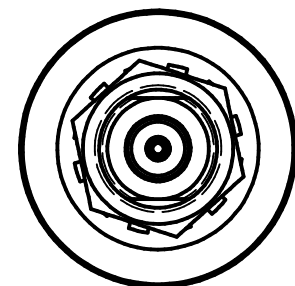
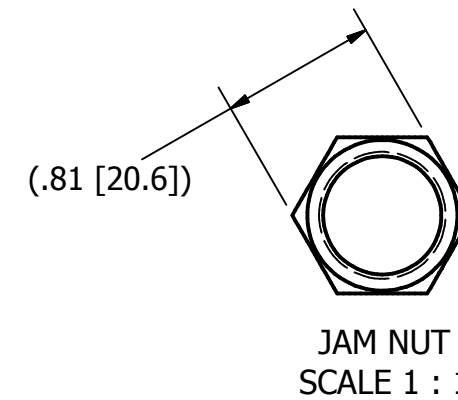
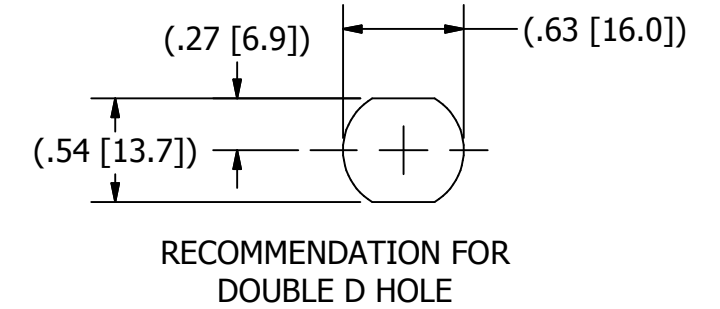
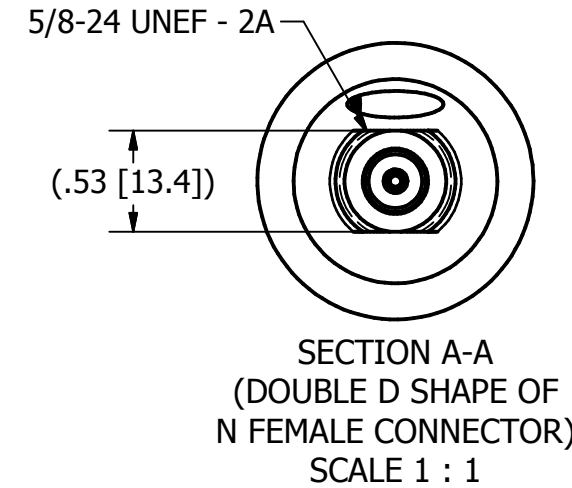
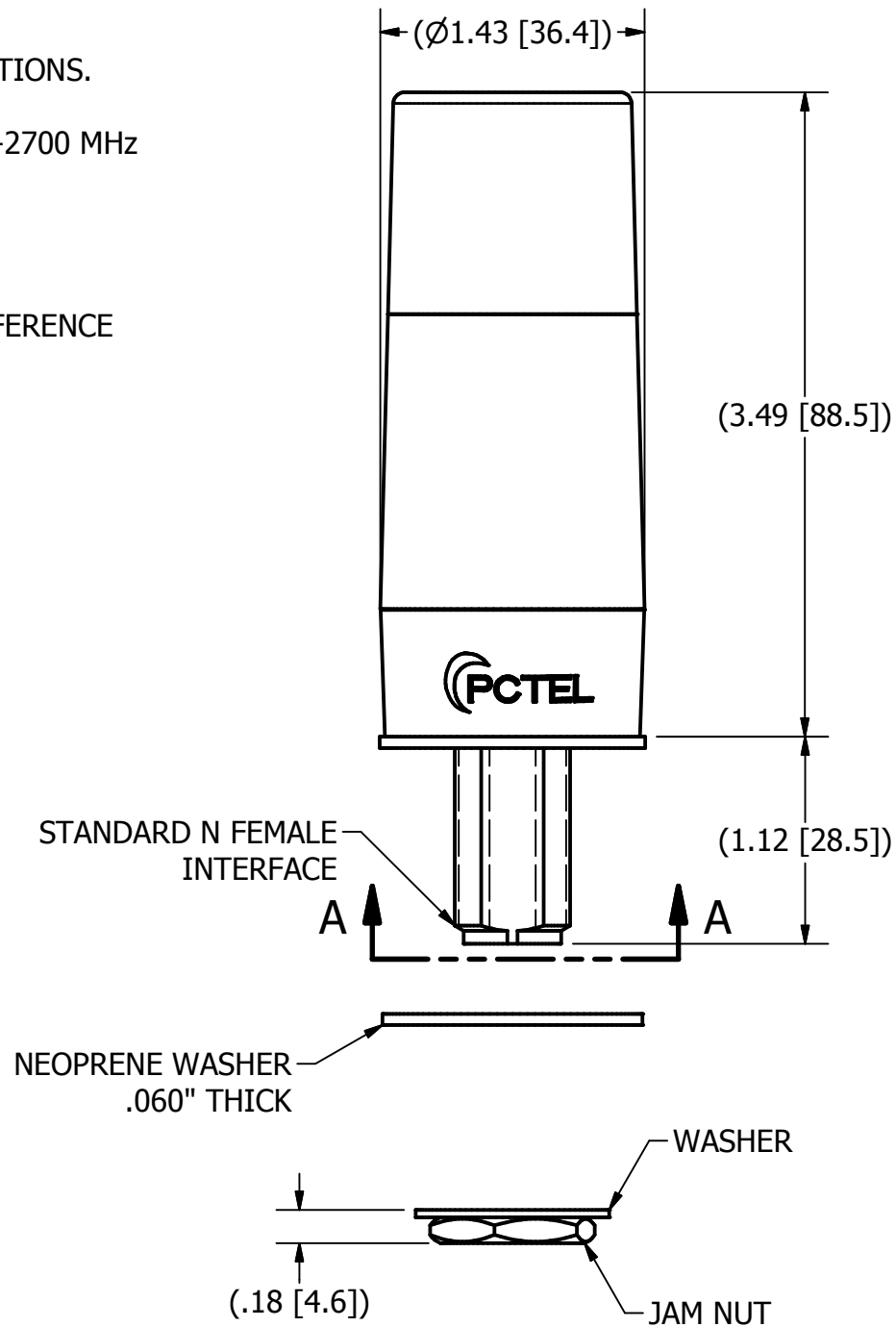


NOTES: UNLESS OTHERWISE SPECIFIED

- TEST PER ANTENNA ELECTRICAL SPECIFICATIONS.
(ANTENNA ONLY)
FREQUENCY RANGE: 698-1250 MHz, 1650-2700 MHz
NOMINAL IMPEDANCE: 50 Ohms
NOMINAL GAIN: 3 dBi
MAX POWER: 150 WATTS
VSWR (MAX) < 2.5:1
- DIMENSIONS IN PARENTHESIS ARE FOR REFERENCE ONLY AND NO TOLERANCE IS IMPLIED.

REVISION HISTORY			
REV	DESCRIPTION	DATE	APPROVED
A	OUTLINE DIMENSIONAL DRAWING RELEASED	03FEB15	CP



UNLESS OTHERWISE SPECIFIED DUAL DIMENSIONING XX.Xin [XX.Xmm] FOR TOLERANCES NOT SPECIFIED USE: X.X in ± .1 in, X.XX in ± .01 in, X.XXX in ± .005 in [X mm ± 3 mm], [X.X mm ± .3 mm], [X.XX mm ± .13 mm] ANGULAR ± 1°, FRACTIONAL ± 1/64	DRAWN IP	DATE 2/3/2015	PCTEL, INC. 471 BRIGHTON DRIVE BLOOMINGDALE, IL 60108 PH. 630-372-6800 FAX. 630-372-8077
	CHECKED	DATE	
THIRD ANGLE PROJECTION 	MATERIAL: SEE COMP. PRINTS	FINISH: SEE COMP. PRINTS	DESCRIPTION HIGH EFFICIENCY MLPV LTE (698-2700MHZ) WITH MVPHP ATTACHED
PCTEL PROPRIETARY DATA THE INFORMATION AND/OR DRAWINGS CONTAINED IN THIS DOCUMENT IS CONFIDENTIAL AND PROPRIETARY TO PCTEL, INC. AND MAY NOT BE USED, REPRODUCED, IN WHOLE OR IN PART, OR MODIFIED IN ANY WAY WITHOUT THE EXPRESS WRITTEN PERMISSION OF AN AUTHORIZED REPRESENTATIVE OF PCTEL, INC.			DRAWING NO. ODD_BMLPVMBLTENGP-VP
SIZE B	SCALE 1:1	SHEET 1 OF 1	