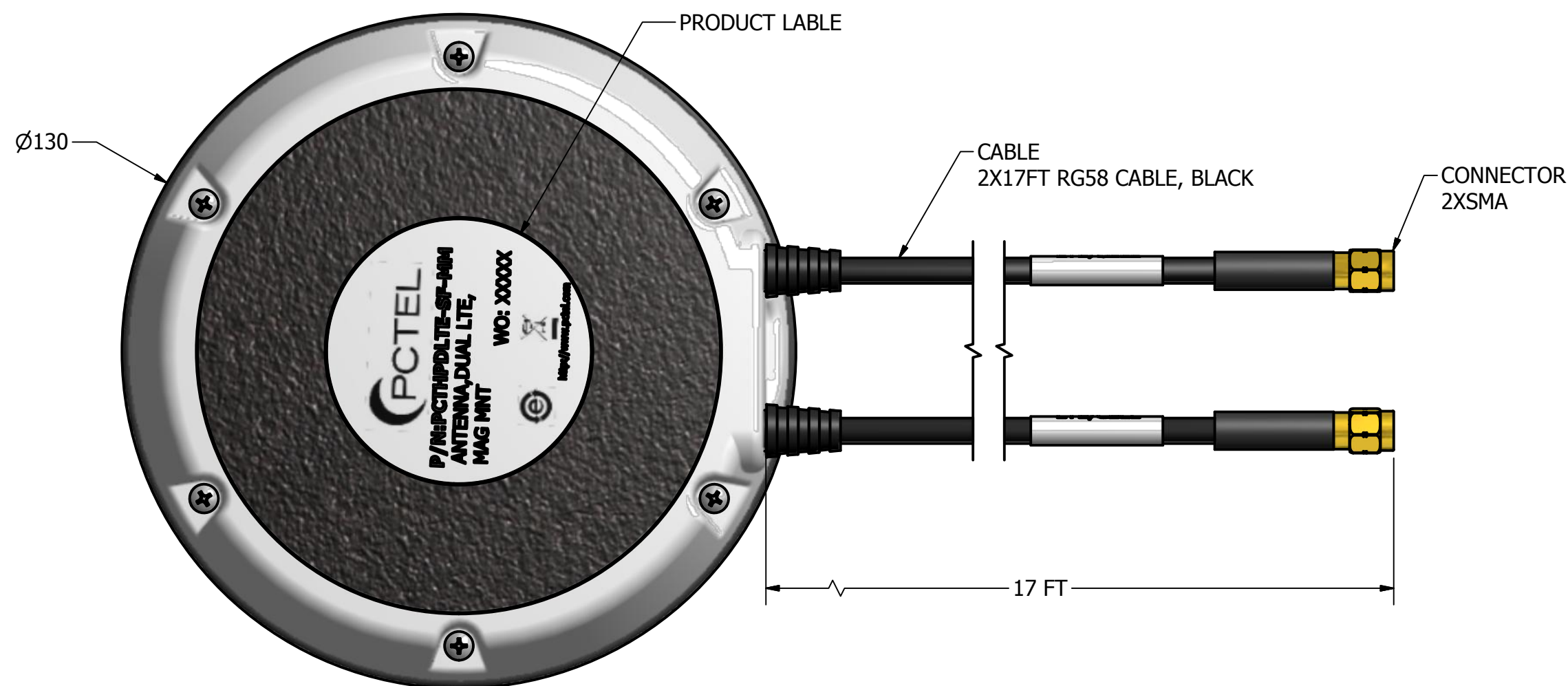
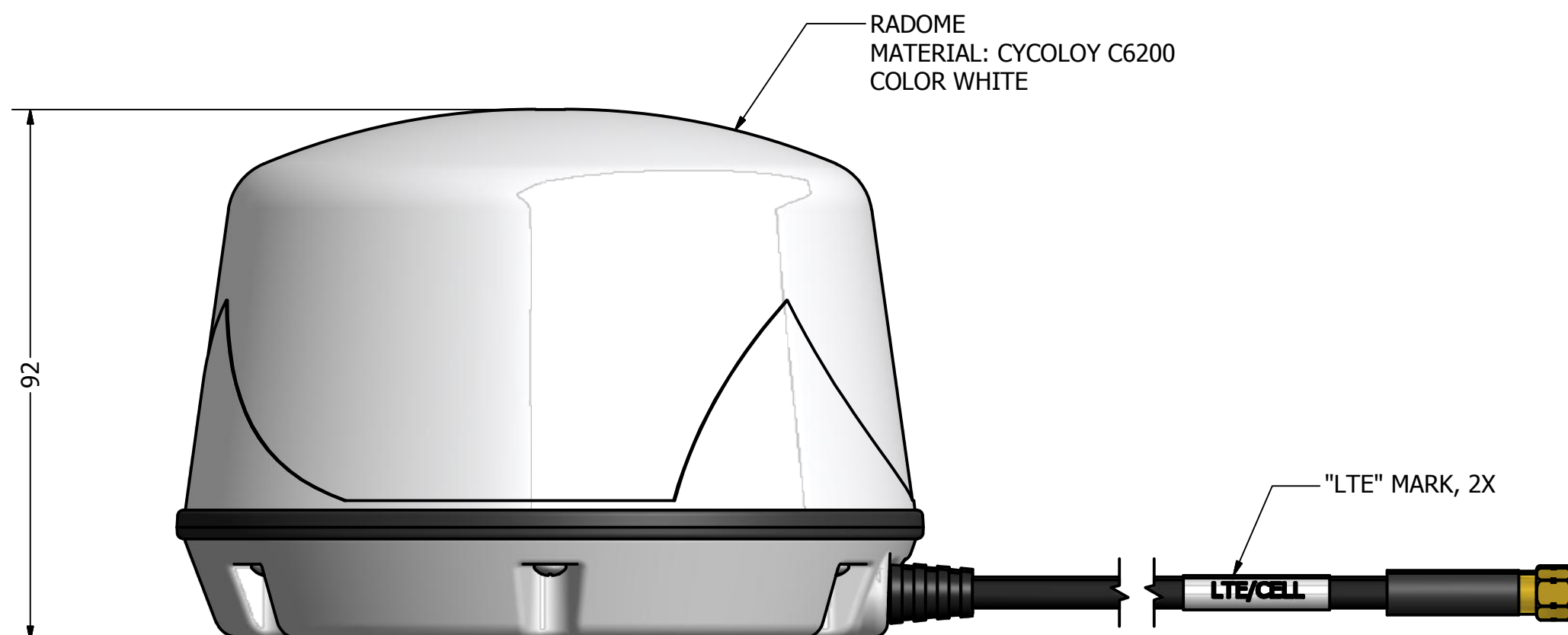
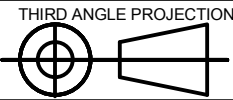



NOTES: UNLESS OTHERWISE SPECIFIED

1. INTERPRET DRAWING PER ANSI/ASME Y14.5
2. PARTS SHALL BE PACKAGED TO PREVENT DAMAGE IN SHIPMENT AND HANDLING.
3. FREQUENCY RANGE: 698-2700 MHz
VSWR<2.0:1
4. ROBUST IP67 HOUSING BUILT FOR VARIOUS WEATHER CONDITIONS.
5. IP67
6. MAGNETIC MOUNTING , 16 lb LIFT-OFF FORCE.

REVISION HISTORY			
REV	DESCRIPTION	DATE	APPROVED
1	FIRST RELEASE	13JAN15	JZ
2	PILOT RELEASE	28JAN15	JZ



SUPPLIER PRINT ACCEPTANCE: <input type="checkbox"/> Accept drawing/specification. No changes needed. <input type="checkbox"/> This part is RoHS compliant <input type="checkbox"/> This part is REACH compliant <input type="checkbox"/> Accept drawing/specification. Notes/Mark-ups added <input type="checkbox"/> Cannot accept drawing/spec. Notes/Mark-ups added Supplier Projected Outgoing Quality: SIGMA LEVEL : _____ or PPM: _____ Signature: _____ Date: _____		UNLESS OTHERWISE SPECIFIED DIMENSIONS ARE IN MILLIMETERS FOR TOLERANCES NOT SPECIFIED USE: ALL DIM. ARE FOR REFERENCE UNIT: mm THIRD ANGLE PROJECTION  PROPRIETARY DATA THE INFORMATION CONTAINED IN THIS DOCUMENT IS OF A PROPRIETARY NATURE AND MAY NOT BE USED OR REPRODUCED WITHOUT THE EXPRESSED WRITTEN PERMISSION OF PCTEL INC., BLOOMINGDALE, IL 60108		DRAWN: JZ DATE: 13/01/2015 CHECKED: _____ DATE: _____ APPROVED: _____ DATE: _____ MATERIAL: SEE INDIV PRINTS FINISH: SEE INDIV PRINTS		 PCTEL, INC. ANTENNA PRODUCTS 471 BRIGHTON DRIVE BLOOMINGDALE, IL 60108 PH. 630-372-6800 FAX. 630-372-8077	
DESCRIPTION: ANTENNA, DUAL LTE, MAG MOUNT				DRAWING NO.: ODD_PCTHPDLTE-SF-MM			
SIZE: C		SCALE: 1:1		SHEET: 1 OF 1			