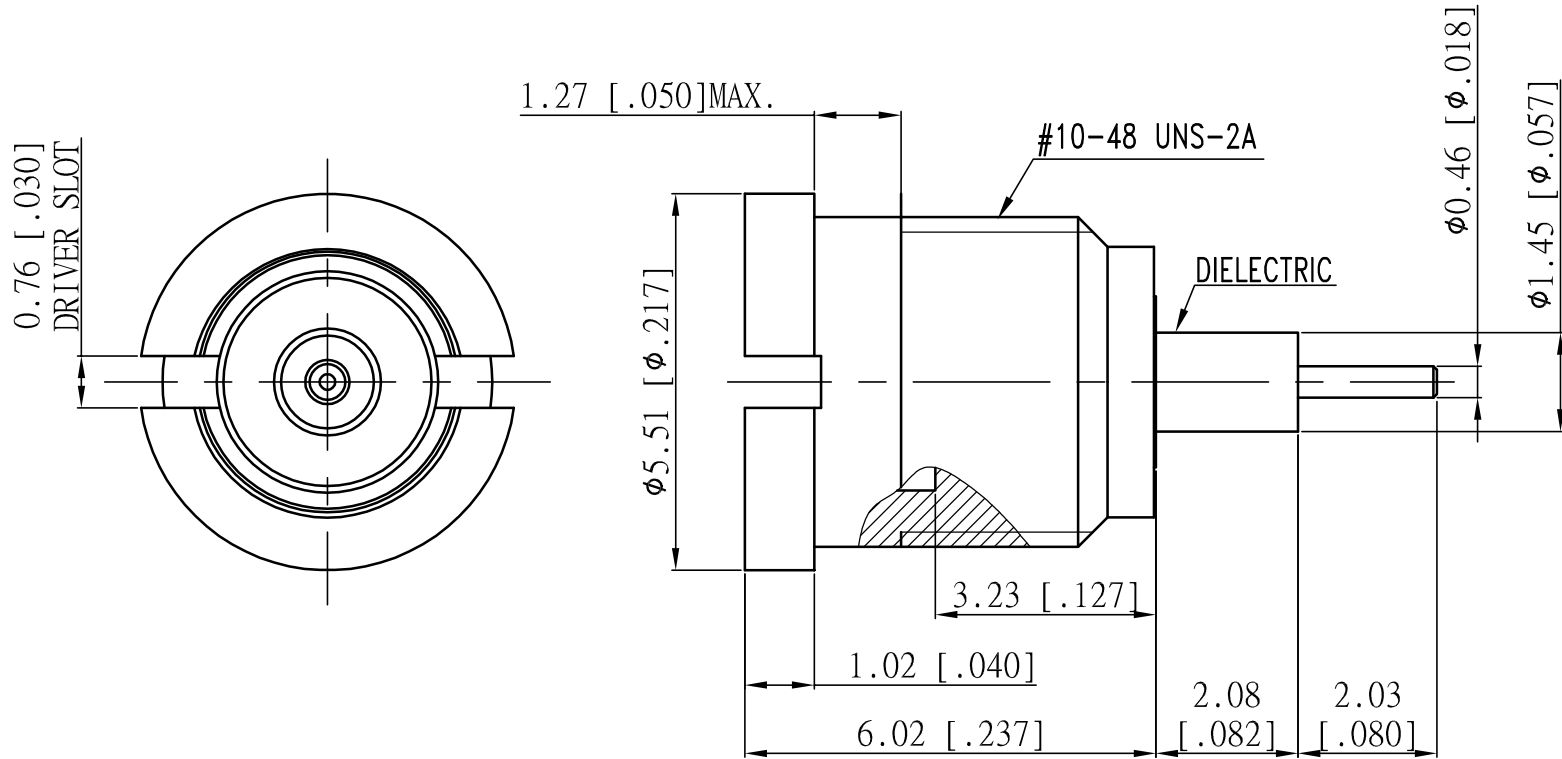


RoHS
COMPLIANT



SPECIFICATIONS :

- 1.IMPEDANCE : 50 OHMS
- 2.GOLD FINISH :75 microinches OVER BeCu
- 3.PASSIVTAE FINISH : PASSIVATE OVER SUS303
- 4.REMOVED ALL BURRS & BREAK ALL SHARP EDGES

LIMITED DETENT TYPE

| | | | | | | | | | | | | | |
|------|-------------|----------------|-----|----------|-----------|-----------------------------|--------------|--------------|----------|--|--------|-----------------------------------|--|
| | | | | | | REV | ECN NO. | NAME | DATE | TOLERANCE: DECIMALS: .XX ±0.13 .X ±0.25 DIAMETER: ±0.13 | | Huang Liang Technologies Co., Ltd | |
| | | | | | | A1 | | JERRY | 06/20/14 | TITLE: SMP Plug Thread-in Terminal | | DWG.NO. 145-M98W/188 | |
| 4 | Dielectric | 145-M98W-70-DX | 1 | PTFE | NONE | Drawn | Checked | Approved | Unit | SMP | | | |
| 3 | Pin | 145-M98W-40-AZ | 1 | BeCu | GOLD | <i>JERRY</i> | <i>JERRY</i> | <i>JERRY</i> | mm | SCALE | SHEET | SERIES | |
| 2 | Body | 145-M98W-20-SP | 1 | SUS303 | PASSIVATE | 06/20/14 | 06/20/14 | 06/20/14 | | 10/1 | 1 OF 1 | SMP | |
| 1 | Body | 145-M98W-10-SP | 1 | SUS303 | PASSIVATE | File Path: E:\CONNECTOR\SMA | | | | | | | |
| ITEM | DESCRIPTION | PART NUMBER | QTY | MATERIAL | FINISH | | | | | | | | |