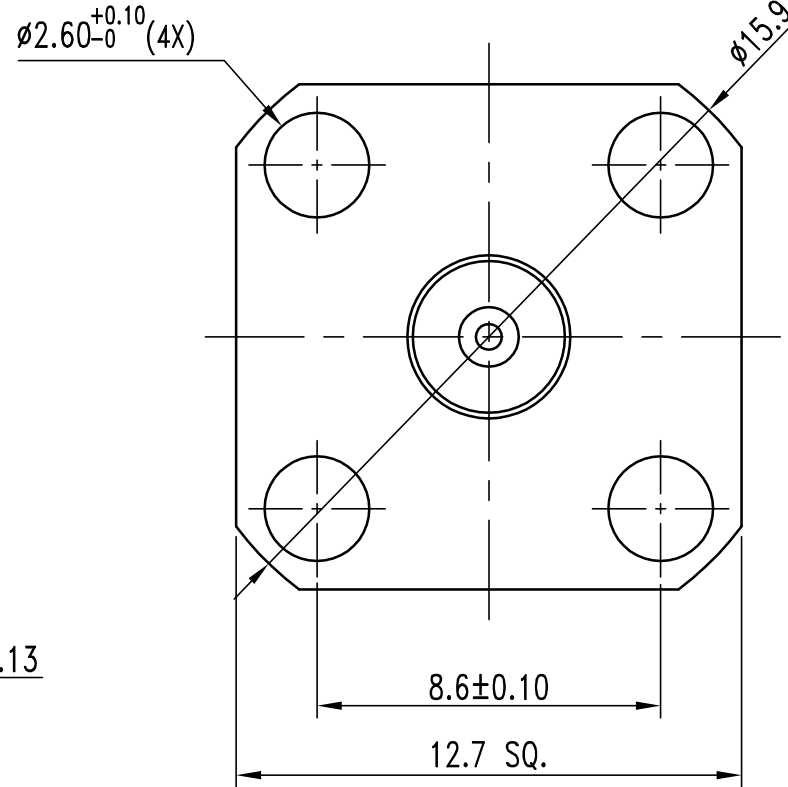
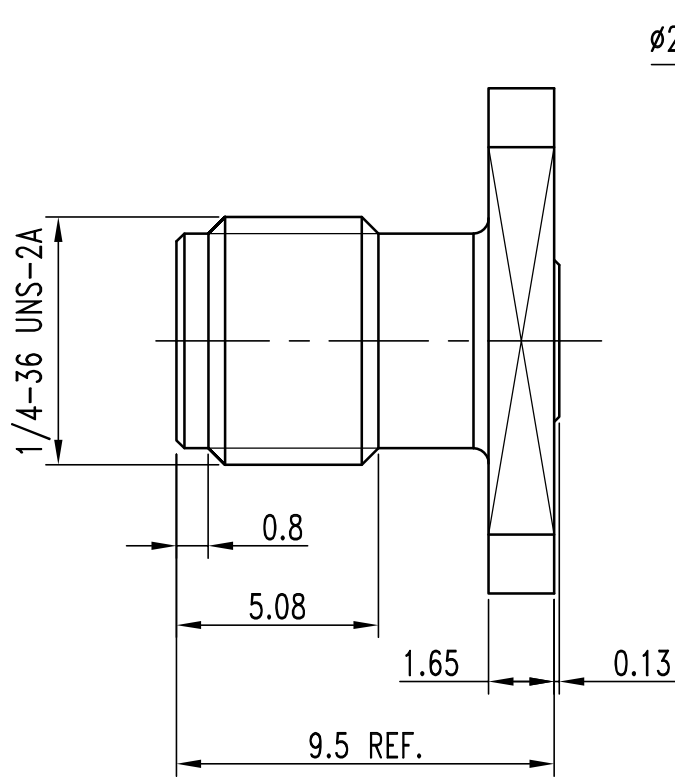


RoHS
COMPLIANT



SPECIFICATIONS :

1. IMPEDANCE : 50 OHMS
2. PASSIVATE FINISH : PASSIVATE OVER SUS303
3. GOLD FINISH : 50micr inches GOLD OVER BeCu
4. REMOVED ALL BURRS & BREAK ALL SHARP EDGES
5. Higher Performance Application Material
6. REMOVED ALL BURRS & BREAK ALL SHARP EDGES

REV	ECN NO.	NAME	DATE	TOLERANCE:		 Huang Liang Technologies Co., Ltd TITLE. 2.92 mm JACK 4-HOLE FLANGE (ACCEPTS 0.30 MM PIN)	
5	Dielectric	129-F113-70-UX	1	NOTE 5	NONE		DECIMALS: .XX ± 0.08
4	CONTACT	729-F325-50-AZ	1	BeCu	GOLD		.X ± 0.13
3	CONTACT	729-F323-40-AZ	1	BeCu	GOLD		DIAMETER: ± 0.03
F	2	Body	729-F325-20-SP	1	SUS303	PASSIVATE	Drawn <i>T.J. NG</i> 09/30/11
	1	Body	729-F323-10-SP	1	SUS303	PASSIVATE	Checked <i>WEN</i> 09/30/11
							Approved <i>H.T. LIN</i> 09/30/11
							Unit mm
							File Path: FILE.PATH
							DWG.NO. 729-F325/188 (A1)
							SCALE 10/1
							SHEET 1 OF 1
							SERIES 2.92