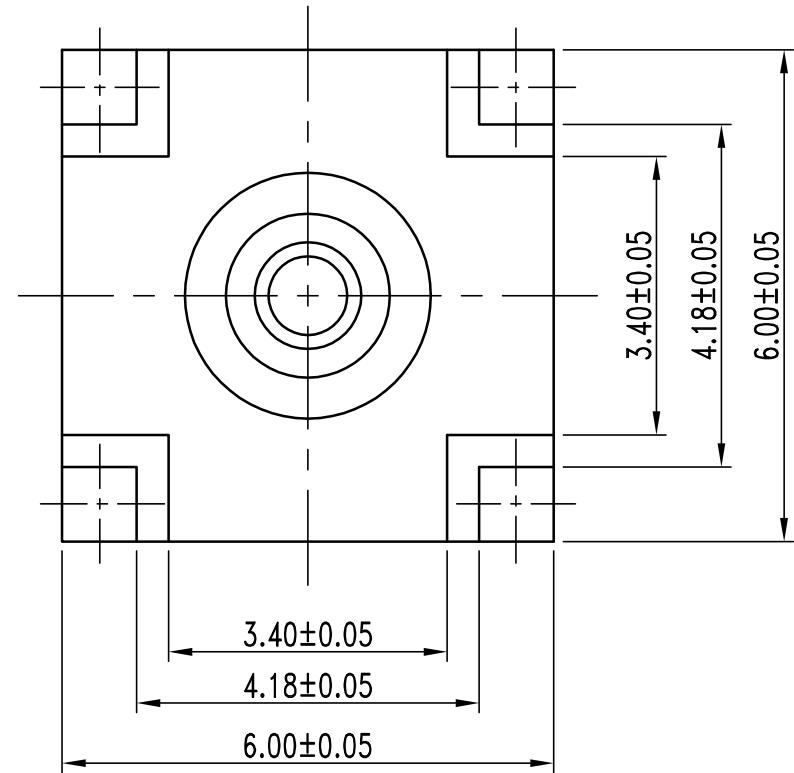
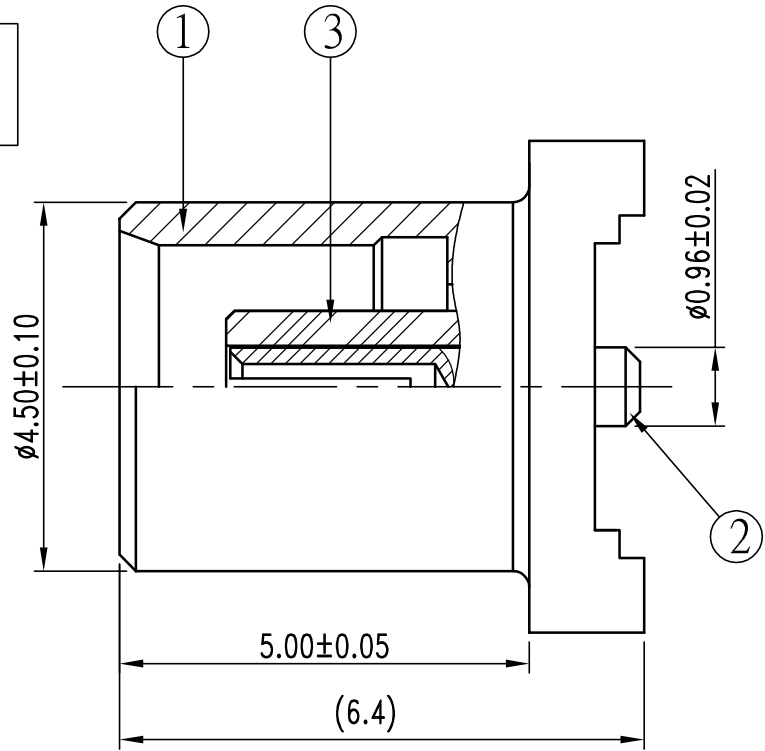


RoHS
COMPLIANT



1. The sustain force between Body & Insulator should be greater than 15N
 2. The sustain force between Contact & Insulator should be greater than 15N
 3. Contact after assembling should be fair or low 0~0.05mm compared with feet of body
- * (1). 本體與絕緣體的固定力須大於15N(約1.53Kgf)
 *(2). 絕緣體與中心針的固定力須大於15N(約1.53Kgf)
 *(3). 中心針壓入後與本體接腳間尺寸的為0~0.05mm

SPECIFICATIONS :

1. IMPEDANCE : 50 OHMS
2. GOLD FINISH : 2 microinches OVER C3604BD
3. GOLD FINISH : 32 microinches OVER BeCu
4. REMOVED ALL BURRS & BREAK ALL SHARP EDGES

ITEM	DESCRIPTION	PART NUMBER	QTY	MATERIAL	FINISH
3	dielectric	107-F62E-70-DX	1	PTFE	NONE
2	contat	107-F62E-40-AC	1	BeCu	GOLD
1	body	107-F62E-10-BA	1	C3604BD	GOLD

REV	ECN NO.	NAME	DATE	TOLERANCE: DECIMALS: .XX ±0.08 .X ±0.13 DIAMETER: ±0.08	Huang Liang Technologies Co., Ltd TITLE: MCX JACK SMT TYPE
B	97-0035	REATA	97/01/18		
A		REATA	97/01/15		
Drawn		Checked	Approved	Unit	DWG.NO. 107-F62E/111
REATA		ICHEN	ICHEN	mm	
97/01/15		97/01/15	97/01/15	A4	SCALE 10/1
File Path: E:\CONNECTOR\					SHEET 1 OF 1
					SERIES MCX