

Huang Liang SMA Male to SMA Female Right Angle Adapter, Precision 18 GHz

Product Code

101-R040

Precision

Precision Grade

SMA

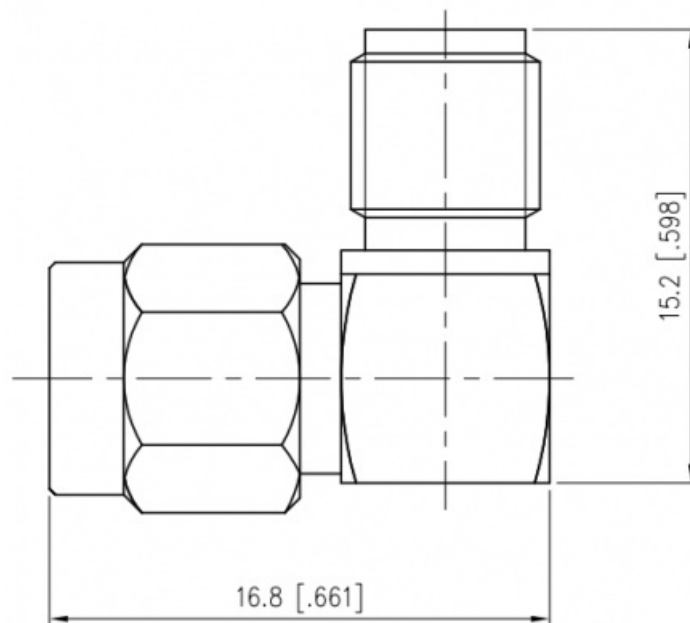
The SMA "SubMiniature A" connector series is one of the most commonly used RF connector due to its durability and performance. SMA series has a 1/4 - 36 UNS threaded coupling and can operate up to 18 GHz when using semi-flex or semi-rigid cable types.

SMA

The SMA "SubMiniature A" connector series is one of the most commonly used RF connector due to its durability and performance. SMA series has a 1/4 - 36 UNS threaded coupling and can operate up to 18 GHz when using semi-flex or semi-rigid cable types.



▼ RF Adapter Technical Data



▼ Interface #1

Series	SMA	Body Shape	Right Angle
Gender	Male	Mounting	Free Hanging

▼ Interface #2

Series	SMA	Body Shape	Right Angle
Gender	Female	Mounting	Free Hanging

▼ RF Performance

Operating Freq. Range	0 to 18.00 GHz	Input Impedance	50 Ω
VSWR	< 1.25:1	Insertion Loss	0.25 dB

▼ Physical Characteristics

Body Material(s)	Brass Stainless Steel (304)	Contact Material(s)	Beryllium-Copper
Body Plating	Gold	Contact Plating	Gold
Dimensions	16.8 x 15.2 x 8 mm (L x W x D)	Operating Temperature	-65 to 165 °C
Weight	6.075 g	Mating Cycles	>500

Huang Liang

Huang Liang is a manufacturer of coaxial connectors, adapters and cable assemblies. The company provide solutions to different industries including military, telecommunication and aerospace.



Over 30 years of experiences in developing and designing RF products, Huang Liang has overcome many challenges with our expertise on RF field. Huang Liang has a professional engineering team which enables its clients to get timely advice and provide mechanical and electrical support.

Document Generated on January 27, 2023 15:30

Disclaimer: Although care has been taken to ensure the accuracy, completeness and reliability of the information provided, Halberd Bastion assumes no responsibility therefore. The user of the information agrees that the information is subject to change without notice. Halberd Bastion assumes no responsibility for the consequences of use of such information, nor for any infringement of third party intellectual property rights which may result from its use. IN NO EVENT SHALL HALBERD BASTION BE LIABLE FOR ANY DIRECT, INDIRECT, SPECIAL OR INCIDENTAL DAMAGE RESULTING FROM, ARISING OUT OF OR IN CONNECTION WITH THE USE OF THE INFORMATION.