

## Huang Liang SMA Female to SMP Male 4-Hole Flange Mount Adapter

Product Code

145-A03K

Precision

Precision Grade

### SMA

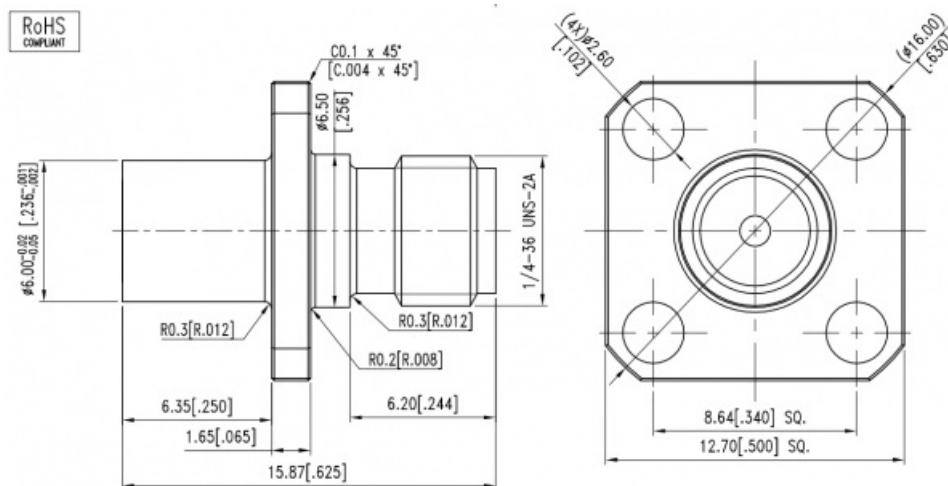
The SMA "SubMiniature A" connector series is one of the most commonly used RF connector due to its durability and performance. SMA series has a 1/4 - 36 UNS threaded coupling and can operate up to 18 GHz when using semi-flex or semi-rigid cable types.

### SMP

SMP series are a high frequency push-on connector with its interfacing system featuring an inner female-to-female component, called a bullet or blindmate, and two outer panel, circuit or cable-mounted receptacles called shrouds. The design of the SMP bullet and shroud system allows for both axial and radial misalignment. SMP connector design is standardised by MIL-STD-348B, and can operate up to 40 GHz through select manufacturers.



### ▼ RF Adapter Technical Data



### ▼ Interface #1

Series	SMA	Body Shape	Straight
Gender	Female	Mounting	4-Hole Flange, Rear Mount

### ▼ Interface #2

Series	SMP	Body Shape	Straight
--------	-----	------------	----------

Gender	Male	Mounting	4-Hole Flange, Front Mount
--------	------	----------	----------------------------

▼ RF Performance

Operating Freq. Range	0 to 18.00 GHz	Input Impedance	50 Ω
VSWR	< 1.40:1	Insertion Loss	0.50 dB

▼ Physical Characteristics

Body Material(s)	Stainless Steel (303)	Contact Material(s)	Beryllium-Copper
Body Plating	Passivated	Contact Plating	Gold
Dimensions	15.87 x 12.70 x 12.70 mm (L x W x D)	Operating Temperature	-65 to 165 °C
Weight	No Data	Mating Cycles	>500

## Huang Liang

Huang Liang is a manufacturer of coaxial connectors, adapters and cable assemblies. The company provide solutions to different industries including military, telecommunication and aerospace.



Over 30 years of experiences in developing and designing RF products, Huang Liang has overcome many challenges with our expertise on RF field. Huang Liang has a professional engineering team which enables its clients to get timely advice and provide mechanical and electrical support.

Document Generated on July 9, 2020 08:38

Disclaimer: Although care has been taken to ensure the accuracy, completeness and reliability of the information provided, Halberd Bastion assumes no responsibility therefore. The user of the information agrees that the information is subject to change without notice. Halberd Bastion assumes no responsibility for the consequences of use of such information, nor for any infringement of third party intellectual property rights which may result from its use. IN NO EVENT SHALL HALBERD BASTION BE LIABLE FOR ANY DIRECT, INDIRECT, SPECIAL OR INCIDENTAL DAMAGE RESULTING FROM, ARISING OUT OF OR IN CONNECTION WITH THE USE OF THE INFORMATION.