

## Huang Liang BMA Male Straight Bulkhead Rear Mount Connector for 0.141" SF/SR

Product Code

BMA-M-S-BRM-141\_001

Cable Compatibility

0.141 Semi-Flex

0.141 Semi-Rigid, RG402

Contact Attachment

Cable, Solder

Precision

Standard Grade

BMA (OSP)

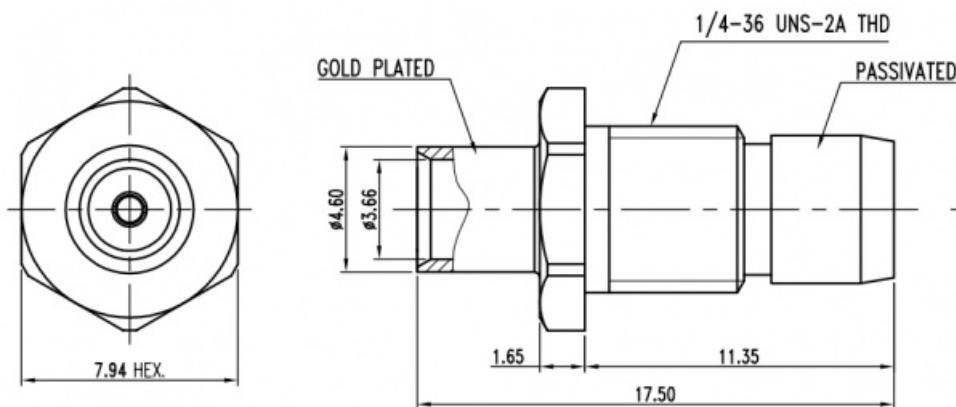
The Blind-Mate A (BMA) RF connector are a slide-on/push-on series developed for interconnecting microwave modules, using direct mount or floating rear mount.

Bulkhead, Rear Mount

Mounting nut is in front of panel. Used to transmit a signal from internal circuitry through a panel using a single mounting hole. Best suited for use with thick panels.



### ▼ RF Connector Technical Data



Series	BMA (OSP)	Body Shape	Straight
Gender	Male	Mounting	Bulkhead, Rear Mount

### ▼ RF Performance

Operating Freq. Range	0 to 4.00 GHz	Input Impedance	50 Ω
VSWR	No Data	Insertion Loss	No Data

## ▼ Physical Characteristics

Body Material(s)	Stainless Steel (303) Stainless Steel (316)	Contact Material(s)	Beryllium-Copper
Body Plating	Passivated Gold	Contact Plating	Gold
Dimensions	17.5 x 7.94 mm (L x ø)	Operating Temperature	-40 to 105 °C
Weight	No Data	Mating Cycles	>500

## Huang Liang

Huang Liang is a manufacturer of coaxial connectors, adapters and cable assemblies. The company provide solutions to different industries including military, telecommunication and aerospace.



Over 30 years of experiences in developing and designing RF products, Huang Liang has overcome many challenges with our expertise on RF field. Huang Liang has a professional engineering team which enables its clients to get timely advice and provide mechanical and electrical support.

Document Generated on July 10, 2020 02:41

Disclaimer: Although care has been taken to ensure the accuracy, completeness and reliability of the information provided, Halberd Bastion assumes no responsibility therefore. The user of the information agrees that the information is subject to change without notice. Halberd Bastion assumes no responsibility for the consequences of use of such information, nor for any infringement of third party intellectual property rights which may result from its use. IN NO EVENT SHALL HALBERD BASTION BE LIABLE FOR ANY DIRECT, INDIRECT, SPECIAL OR INCIDENTAL DAMAGE RESULTING FROM, ARISING OUT OF OR IN CONNECTION WITH THE USE OF THE INFORMATION.