

## JC Antenna JCE072 Combination Cellular, WiFi, and GNSS Fin Antenna

Product Code

JCE072

Polarisation

Vertical (V)

Right Hand Circular (RHCP)

Design Type

Combination Planar

Application Category

IoT/M2M

Vehicle

RF Category

Cellular

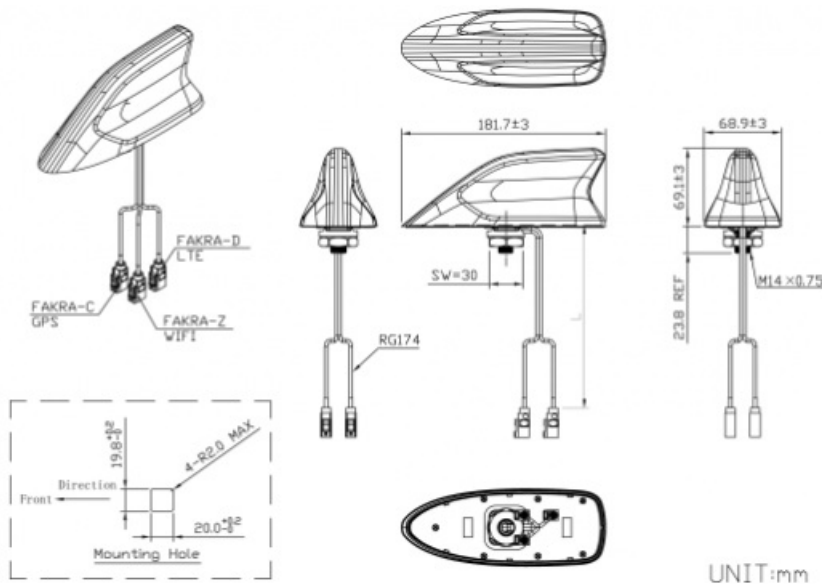
GNSS

IoT

WiFi



### ▼ Antenna Technical Data



### Physical Characteristics

Construction Material	ABS Plastic	RF Connections	3
Radome Colour	Other - Black	Environmental Rating	IP67
Dimensions	181.7 x 68.9 x 69.1 mm (L x W x H)	Operating Temperature	-40 °C to 85 °C

## Physical Characteristics

Weight	No Data	Mounting	M14 x 0.75 Stud
--------	---------	----------	-----------------

### ▼ Cellular Element

#### Electrical Specifications

#### Mechanical Specifications

Input Impedance	50 $\Omega$	Input Connector	SMA
Polarisation	Vertical (V)	Input Connector Gender	Male
Max. Input Power		Cable Series	RG-174
PIM, 3rd Order	-	Cable Length	3000 mm

### ▼ Range: 698 to 960 MHz

Peak Gain	3.50 dBi	Azimuth Beamwidth	360°
VSWR	3.0:1	Elevation Beamwidth	No Data
Radiation Efficiency	No Data	Electrical Tilt	0°
Front-to-Back Ratio	-	Inter-Port Isolation	-
Cross-Polar Discrimination	-	Cross-Polar Isolation	-

### ▼ Range: 1710 to 2690 MHz

Peak Gain	3.50 dBi	Azimuth Beamwidth	360°
VSWR	3.0:1	Elevation Beamwidth	No Data
Radiation Efficiency	No Data	Electrical Tilt	0°
Front-to-Back Ratio	-	Inter-Port Isolation	-
Cross-Polar Discrimination	-	Cross-Polar Isolation	-

### ▼ WiFi Element

#### Electrical Specifications

#### Mechanical Specifications

Input Impedance	50 $\Omega$	Input Connector	RP-SMA
Polarisation	Vertical (V)	Input Connector Gender	Male
Max. Input Power		Cable Series	RG-174

**Electrical Specifications****Mechanical Specifications**

PIM, 3rd Order

-

Cable Length

3000 mm

▼ Range: 2400 to 2483 MHz

Peak Gain 3.00 dBi

Azimuth Beamwidth 360°

VSWR 2.0:1

Elevation Beamwidth No Data

Radiation Efficiency No Data

Electrical Tilt 0°

Front-to-Back Ratio

-

Inter-Port Isolation

-

Cross-Polar  
Discrimination

-

Cross-Polar Isolation

-

## ▼ GNSS / GPS Specifications

**Electrical Specifications****Mechanical Specifications**

Input Impedance 50 Ω

Input Connector SMA

Polarisation Right Hand Circular (RHCP)

Input Connector Gender Male

DC Input Power 3.00 to 5.00 Vdc

Cable Series RG-174

Power Consumption

-

Cable Length

3000 mm

▶ GPS Specifications

Document Generated on August 2, 2021 00:44

Disclaimer: Although care has been taken to ensure the accuracy, completeness and reliability of the information provided, Halberd Bastion assumes no responsibility therefore. The user of the information agrees that the information is subject to change without notice. Halberd Bastion assumes no responsibility for the consequences of use of such information, nor for any infringement of third party intellectual property rights which may result from its use. IN NO EVENT SHALL HALBERD BASTION BE LIABLE FOR ANY DIRECT, INDIRECT, SPECIAL OR INCIDENTAL DAMAGE RESULTING FROM, ARISING OUT OF OR IN CONNECTION WITH THE USE OF THE INFORMATION.