

Superbat SMA Bulkhead Female to MHF4 Female 0.81mm Cable Assembly

Product Code

AC-S01BH-U04RJ4-F081-15

Precision

Standard Grade

Cable Type

0.81 mm Mini-Coaxial

Cable length: 15cm default or custom made.

Heat Shrink Tubing: Black default optional: Transparent, White, Yellow, Red, Green, Blue

Reverse Polarity variation available.

SMA

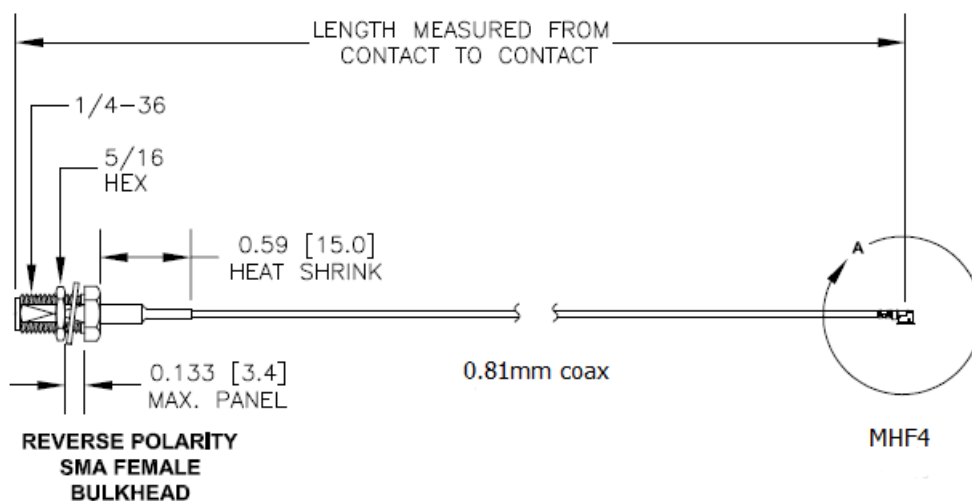
The SMA "SubMiniature A" connector series is one of the most commonly used RF connector due to its durability and performance. SMA series has a 1/4 - 36 UNS threaded coupling and can operate up to 18 GHz when using semi-flex or semi-rigid cable types.

U.FL / IPEX MHF

No Description



▼ Cable Assembly Technical Data



▼ Interface #1

Series	SMA	Body Shape	Straight
Gender	Female	Mounting	Bulkhead, Rear Mount

▼ Interface #2

Series	U.FL / IPEX MHF	Body Shape	Straight
Gender	Female	Mounting	Free Hanging

▼ RF Performance

Operating Freq. Range	0 to 3.00 GHz	Input Impedance	50 Ω
VSWR	< 1.50:1	Insertion Loss	No Data

▼ Physical Characteristics

Length (Standard)	150 mm	Operating Temperature	-55 to 200 °C
Weight	No Data		

Superbat

Shenzhen Superbat Electronics Co., Ltd. was established in 2008, a professional company specialising in production and research and development of RF cable assemblies.



Superbat are a global supplier in Radio Frequency coaxial cable assemblies, which are widely popular in a range of applications including WLAN, industrial communication systems, machine to machine (M2M) communications, broadcast, RFID, vehicle, UAV, GNSS (GPS) devices, medical equipment, remote control systems, and a range of consumer products.

Document Generated on March 3, 2021 13:18

Disclaimer: Although care has been taken to ensure the accuracy, completeness and reliability of the information provided, Halberd Bastion assumes no responsibility therefore. The user of the information agrees that the information is subject to change without notice. Halberd Bastion assumes no responsibility for the consequences of use of such information, nor for any infringement of third party intellectual property rights which may result from its use. IN NO EVENT SHALL HALBERD BASTION BE LIABLE FOR ANY DIRECT, INDIRECT, SPECIAL OR INCIDENTAL DAMAGE RESULTING FROM, ARISING OUT OF OR IN CONNECTION WITH THE USE OF THE INFORMATION.